

 **Applications**



Glass

The strapping machine model 078 consists of two strapping heads positioned on a pressing surface which approaches the top part of the pack to compress the product before it is strapped. The pressing force is regulated through the operator panel. The lances joins the strap running track thus making it

possible to bind the product to the pallet on which it rests. With the system of telescopic strap running tracks the heads can feed the strap from any position. It also features a rotary cross type product lifting system with which the pack is lifted and turned by 90° for cross binding.

Technical data

Power supply

Voltage	400 / 415V three-phase 50Hz
Installed power	~ 11,5 kW

Pack size (standard machine)

Max width	1200 mm
Max height	2800 mm

Strap

Type of strap	Polyester (PET) Polypropylene (PP)
---------------	---------------------------------------

Applicable strapping heads

TR1400/TR1400HD/TR1800

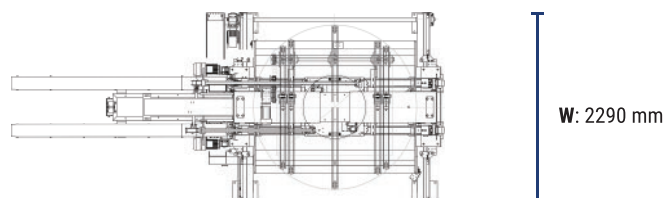
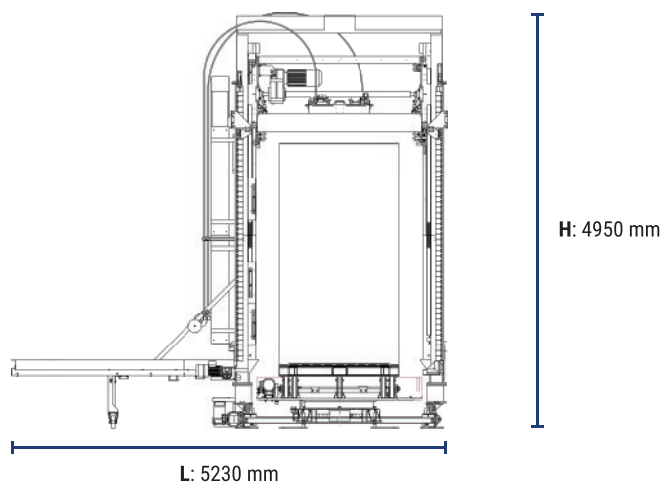
Distance from straps center

400mm and 600 mm

Strap coil size

Internal diameter	390 ÷ 410 mm
Width	150 ÷ 160 mm

Standard machine dimensions



Options:

- > Machine with one or double head and mobile head



Production cycle inside a hollow glass industry



078 for hollow glass sector



Officina Meccanica Sestese S.p.A.

Via Borgomanero, 44 - 28040 Paruzzaro (NO)

Tel. +39 0322 541411 Fax +39 0322 53157

www.omsspa.com

info@omsspa.com

As a part of our policy of continuous improvement, we reserve the right to alter design and specifications without prior notice. This brochure is for descriptive purpose only. Some of the items pictured in this brochure are optional and not standard equipment.